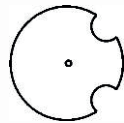
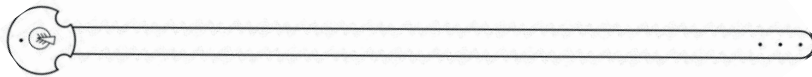
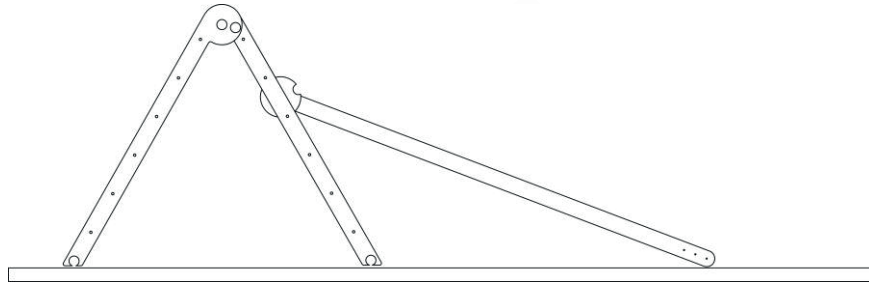


# Triclimb

## TRICLIMB ATTACHMENT - Miri Reversible Activity board (slide/plank)

Suitable for ages 0+ Weight limit 100kg



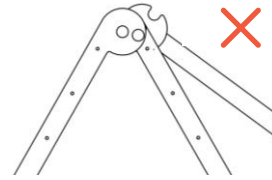
Trifix joint system



### WARNING

Your Triclimb accessory has been CE tested as a slide and a climbing plank/ramp. The method of connection is both simple and easy to use. No tools are needed to connect or disconnect the accessory.

**WARNING:** Connecting the accessory should be attempted by adults only. The locking connector is an important safety feature and should always be fully engaged prior to use.



**WARNING:** Must not be placed on the very top rung of the Triclimb. It must be connected between two rungs with one rung above and one rung below in order to lock.



### WARNINGS

- \*It is extremely important that you read and retain the information in this WARNINGS section to reduce the risk of injury.
- \*Always ensure the attachment is correctly secured in place prior to use
- \*Children must be supervised at all times while using the Tri Climb attachment.
- \*No running, pushing or fighting.
- \*Only use the attachment for its intended purpose. For indoor use only, in a domestic setting.
- \*Tip over hazard - Place play-frame on a level surface.
- \*Keep floors free of trip hazards and observe an obstacle free safety zone of at least 2m in all directions around the unit.
- \*To minimise risk of injury from falling, do not install over a hard surface; a protective surface should be used. Maximum vertical fall height - 590mm
- \*Never allow children to play with ropes, clotheslines, pet leashes, cables, chains or cord-like items when using this play-frame attachment or to attach these items to the play-frame.
- \*Never allow children to wear loose fitting clothing, ponchos, hoods, scarves, capes, necklaces, items with draw-strings, cords or ties when using this Tri Climb attachment.
- \*Do not allow children to wear open toe or heel footwear like sandals or flip-flops whilst climbing.
- \*Do not permit rough play or use of equipment in a manner for which it was not intended.
- \*Observe capacity limitations of your play-frame - 1 user maximum.
- \*Recommended age: 0+ months Weight limit – 100kg
- \*Risk of entrapment connecting - Never allow children to connect or disconnect the attachment.

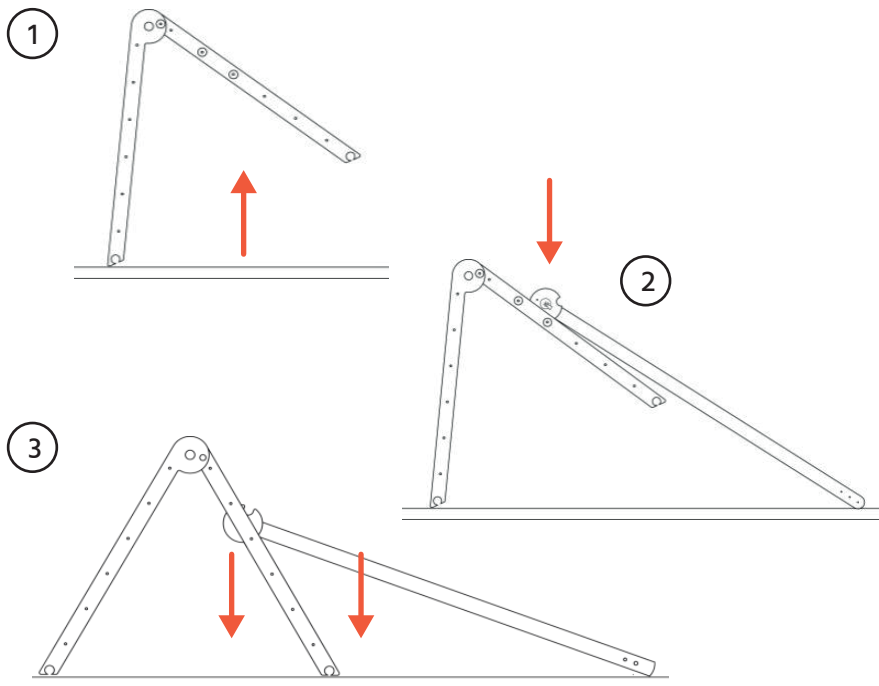
## CONNECTING YOUR ATTACHMENT

Prior to use you must ensure you lock the attachment in place using our specially designed locking method to ensure it does not move whilst in use.

### Simply – LIFT – SET – DROP

- 1 Lift one side of the Triclimb off the floor by a few inches.
- 2 Carefully bring the attachment to the desired rung and hook the shallow cutouts over the rung as shown in figure 2
- 3 Gently drop the Triclimb to the floor and the accessory will become locked in position.

REMOVING the accessory is the reverse of connecting.



## CARE INSTRUCTIONS

Caring for your Triclimb is not only essential for improving safety, but will also add years to its life for your children to play on and enjoy it as they grow.

**WARNING:** if the checks and maintenance of the accessory are not carried out the activity toy could overturn or otherwise become a hazard.

\*All bolts and fixings should be checked regularly and tightened if necessary.

\*It is important to check your accessory for wear and damage regularly. If you are unsure as to the integrity of any component, replace it immediately.

\*We recommend that you regularly check your accessory for splits, broken or cracked wood, missing, loose or sharp-edged hardware – replace, tighten and/or sand smooth as required prior to playing.

\*The wooden components are manufactured from FSC birch plywood and solid timber poles; they are protected with a durable child/toy-safe finish.

\*To clean, wipe with a damp cloth and mild detergent. Dry immediately. Leaving water or cleaning agent on the surface may damage the finish. Do not use abrasive cleansers.

\* Do not modify the unit. Triclimb Ltd is not responsible for any injury arising as a result of modifications made by customers to our products without our supervision, testing, or evaluation.

IPO - Registered design.

Model – AT1

Designed and Manufactured by Triclimb Ltd.

Ty Gelert, Penamser Road, Porthmadog, Gwynedd, LL499NX, Wales UK

[www.triclimb.co.uk](http://www.triclimb.co.uk) [hello@triclimb.co.uk](mailto:hello@triclimb.co.uk)

**IMPORTANT! These instructions must be followed for safe assembly and use.**

**Please retain for future reference.**